



INSTRUCTION MANUAL

The Ultra-Steady Bench

Model MSB100

PO Box 454 • Windom, MN 56101 • (844) 745-7723
www.GoMuddy.com

MSB100 Ultra-Steady Bench

⚠ WARNING: Do not use without securing rear brace to the rear leg using provided delta bolt. (see fig. 1) Keep fingers away from pivot points between back and front legs to prevent pinching. Failure to follow these instructions may result in serious injury!

Check to make sure you have all the required parts and hardware. If you find damaged or missing parts in a newly purchased product, please return this product to the retailer for replacement.

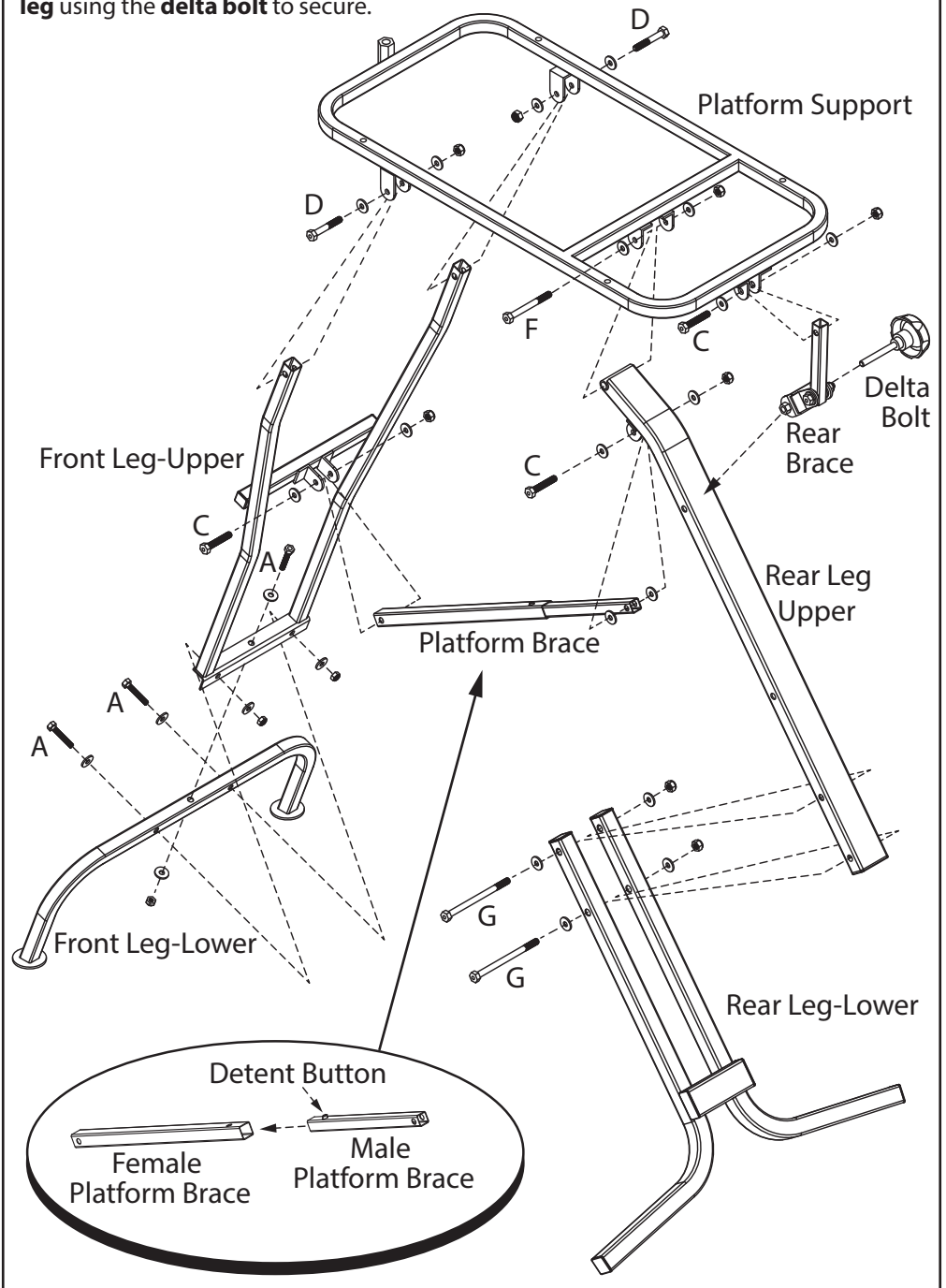
Parts List (MSB100)		
Part#	Description	Qty
UP17-0011	Shooting Platform	1
UP15-0351	Seat Cushion	1
UP18-0013	Seat Support	1
UP18-0014	Platform Support	1
UP18-0015	Front Leg-Lower	1
UP18-0016	Front Leg-Upper	1
UP18-0017	Rear Leg-Lower	1
UP18-0018	Rear Leg-Upper	1
UP18-0019	Rear Brace	1
UP18-0020	Male Platform Brace	1
UP18-0021	Female Platform Brace	1
UP10-0586	Gun Rest-Upper	1
UP10-0587	Gun Rest-Lower	1
	Instruction Manual	1
UP77-0019	[A] 1/4" x 1 1/2" Hex Bolt	7
UP77-0023	[B] 1/4" x 2" Hex Bolt	3
UP77-0039	[C] 5/16" x 1 3/4" Hex Bolt	4
UP77-0041	[D] 5/16" x 2" Hex Bolt	2
UP77-0047	[E] 5/16" x 2 3/4" Hex Bolt	1
UP77-0048	[F] 5/16" x 3" Hex Bolt	1
UP77-0209	[G] 5/16" x 4 1/2" Hex Bolt	2
UP77-0192	5/16" x 3" Delta Bolt	1
UP77-0029	5/16" Nylock Nut	10
UP77-0001	1/4" Nylock Nut	3
UP77-0030	Nylon Washer	35
UP77-0054	3/8" Wing Nut	1
UP77-0063	1/2" Wing Nut	1

STEP 1. Using (3) 1/4" x 1 1/2" hex bolts [A], (6) nylon washers and (3) 1/4" nylock nuts attach the **front leg-lower piece** to the **front leg-upper piece**. Then, attach the assembled **front leg** to the **platform support** using (2) 5/16" x 2" hex bolts [D], (4) nylon washers and (2) 5/16" nylock nuts.

STEP 2. Using (2) 5/16" x 4 1/2" hex bolts [G], (4) nylon washers and (2) 5/16" nylock nuts attach the **rear leg-lower piece** to the **rear leg-upper piece**. Then, attach the assembled **rear leg** to the **platform support** using (1) 5/16" x 3" hex bolt [F], (2) nylon washers and (1) 5/16" nylock nut.

STEP 3. Connect the **male platform brace** to the **female platform brace**. Then, attach the assembled **platform brace** to the **front leg** and **rear leg** using (2) 5/16" x 1 3/4" hex bolts [C], (6) nylon washers and (2) 5/16" nylock nuts.

STEP 4. Using (1) 5/16" x 1 3/4" hex bolt [C], (2) nylon washers and (1) 5/16" nylock nut secure the **rear brace** to **platform support**. Next, align holes in the **rear brace** and **rear leg** using the **delta bolt** to secure.

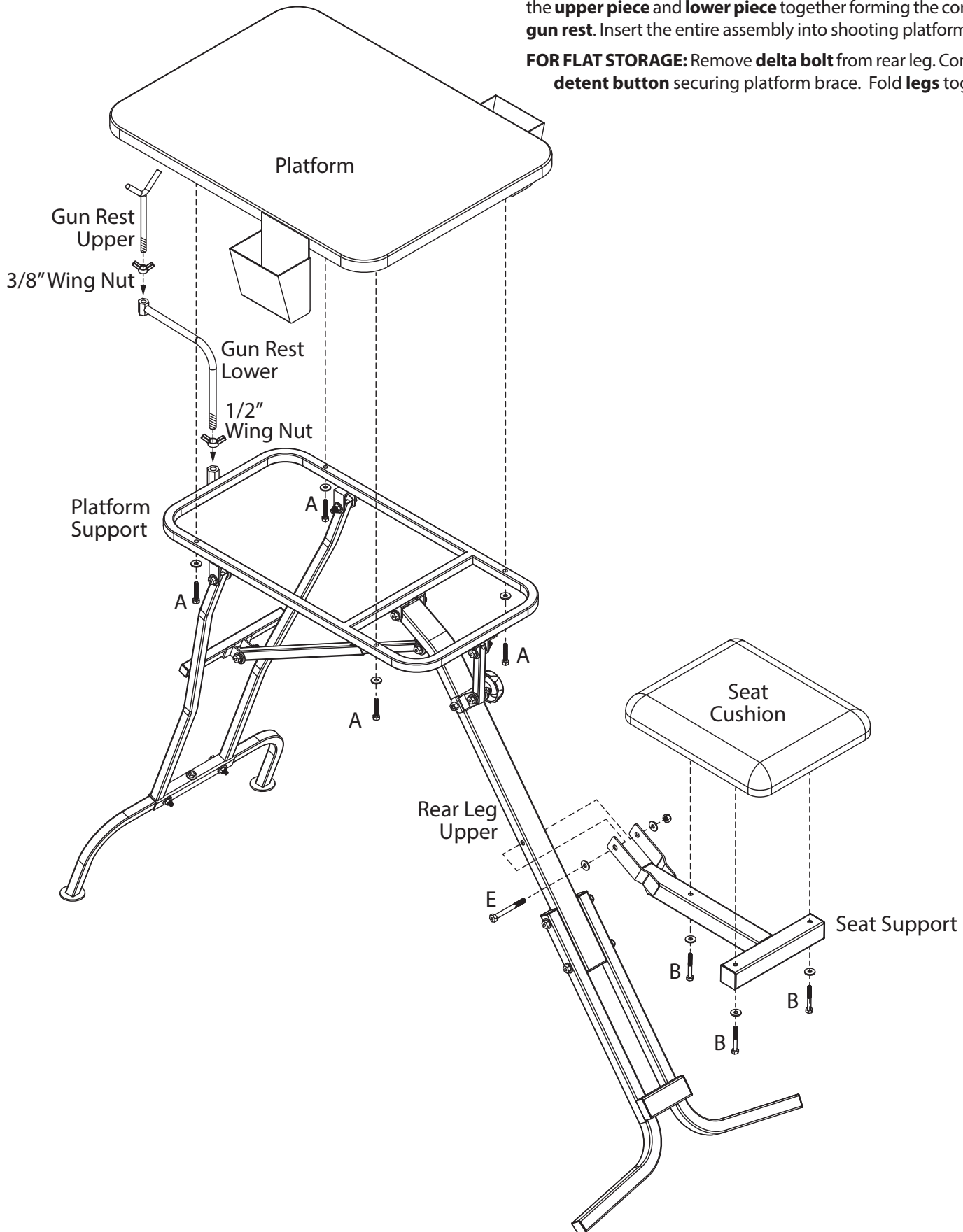


STEP 5. Next, attach the **seat cushion** to the **seat support** using (3) 1/4" x 2" hex bolts [B] and (3) nylon washers. Then, connect the **seat support** to the **rear leg** using (1) 5/16" x 2 3/4" hex bolt [E], (2) nylon washers and (1) 5/16" nylock nut.

STEP 6. Attach the **shooting platform** to the **platform support** (4) 1/4" x 1 1/2" hex bolts [A] and (4) nylon washers to secure.

STEP 7. Thread **3/8" wing nut** onto the **gun rest-upper piece** and the **1/2" wing nut** onto the **gun rest-lower piece**. Then, thread the **upper piece** and **lower piece** together forming the complete **gun rest**. Insert the entire assembly into shooting platform.

FOR FLAT STORAGE: Remove **delta bolt** from rear leg. Compress **detent button** securing platform brace. Fold **legs** together.





PO Box 454 • Windom, MN 56101

(844) 745-7723

www.GoMuddy.com